



**TAN SANG**

**VORTEX**

**Model TS1312-1**

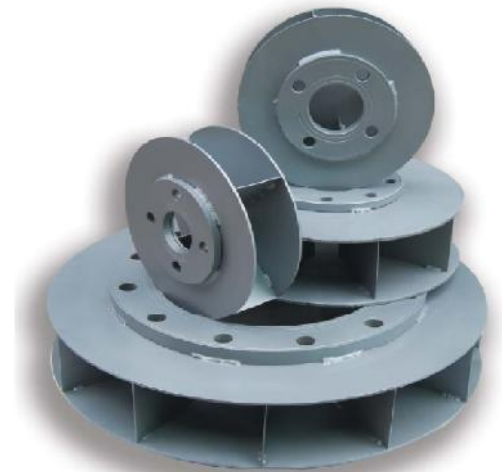
**VORTEX** are provided for attachment to pump suction pipes installed in clean water storage tanks. These units are designed to prevent forming of vortex and air entry to pump, ensuring the pump is fully primed at all times during operation.

**Features**

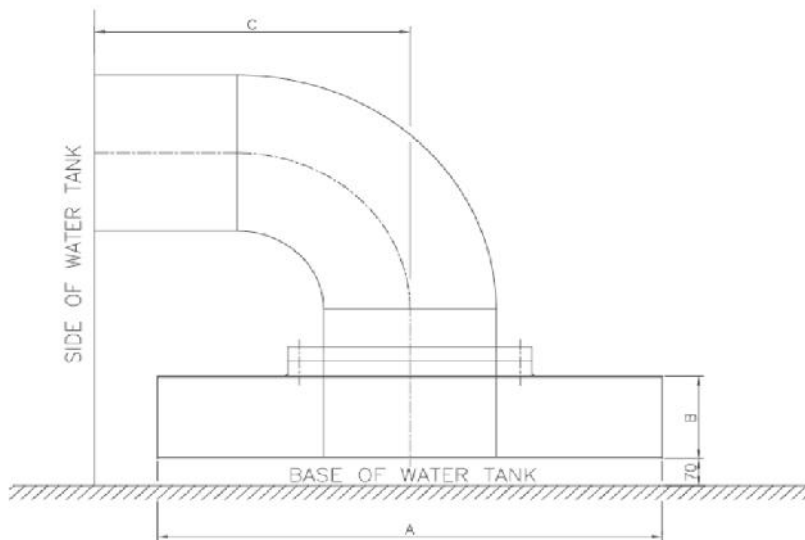
Enables economies to be made in the total capacity of storage tanks as during pumping the minimum water level is allowed to fall to the uppermost inhibitor disc.

Flange connection to BS4504-PN16

The TS vortex inhibitor is designed to comply to Loss Prevention Certification Board ( LPCB )



**Installation instruction**



PIPE SIZE	A	B	C	FINS
DN50	230	80	265	8
DN65	230	110	265	8
DN80	230	143	265	8
DN100	400	143	350	8
DN150	600	143	450	8
DN200	800	143	550	8
DN250	1000	148	650	8
DN300	1200	198	750	8
DN350	1200	198	750	8
DN400	1200	218	760	8
DN450	1220	218	760	8