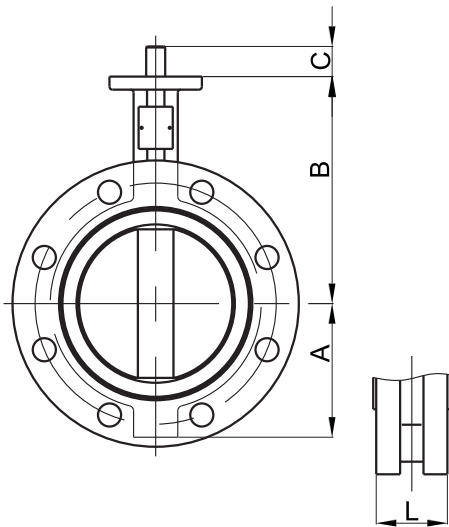


Fig. 2122



Valve Standard :

Comply with ISO 5752/BS 5155/
BS EN 593/MSS SP-67/API 609

Pressure Temperature Ratings

Working pressure	16bar
Testing Pressure	Shell:24bar
	Seal:17.6bar
Working Temperature	-20°C to 110°C EPDM Seat
	-10°C to 80°C NBR Seat
Suitable Media	Water,Oil&Gas

Material Specification

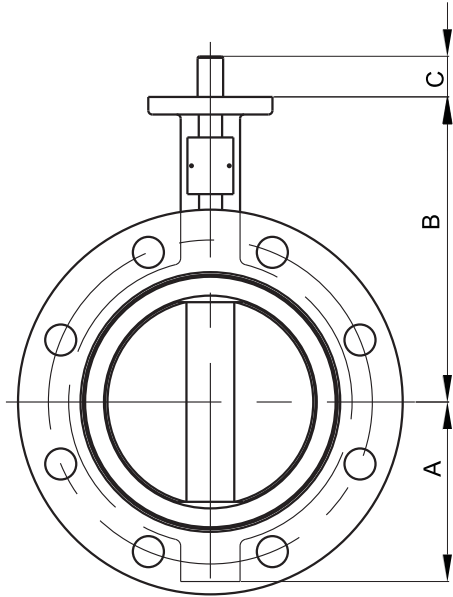
Part	Material	EN Spec.
Body	Ductile Iron	EN-JS 1050
	Ductile Iron	EN-JS 1050
Disc	Bronze	EN 1982 CC491K
	Stainless Steel 304	BS970 304 C 15
	Stainless steel 316	BS970 316 C 16
Shaft	Stainless Steel 410	BS970 410 S 21
	Stainless Steel 431	BS970 431 S 29
Seat Ring	EPDM / NBR	
O-Ring	EPDM / NBR	
Bushing	Bronze	EN 1982 CC491K

Dimensions

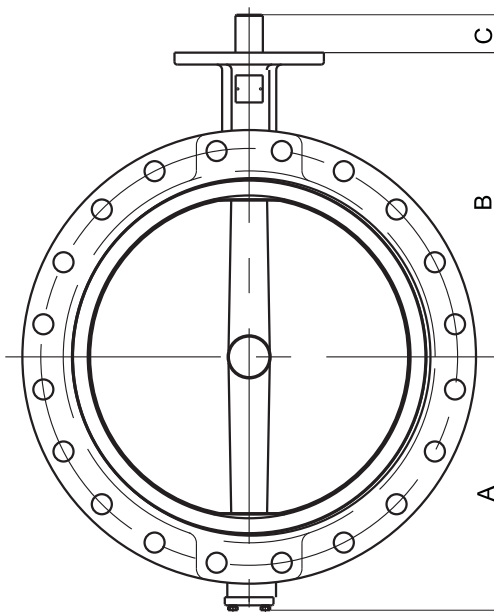
DN	mm	150	200	225	250	300	350	375	400	450	500	550
	inch	6	8	9	10	12	14	15	16	18	20	22
	A	133	175	190	201	242	267	320	316	344	380	432
	B	226	260	275	292	337	368	375	400	422	480	533
	C	30	34	34	34	34	40	52	52	52	64	70
	L	55	60	67	67	76	76	102	102	114	127	151

DN	mm	600	650	700	750	800	900	1000	1050	1100	1200	-
	inch	24	26	28	30	32	36	40	42	44	48	-
	A	468	484	530	564	602	661	724	784	804	869	-
	B	562	540	626	660	666	722	806	865	820	938	-
	C	70	70	95	95	95	130	130	150	150	150	-
	L	151	172	165	167	188	203	216	251	252.5	276	-

Appearance



Fit DN150-DN350 U-Type Butterfly valves



Fit DN400-DN1200 U-Type Butterfly valves