

# Gate Valve

Resilient Seated NRS Type-Flange-Groove Ends

Fig. 388FG-300  
388FG-250  
388FG-200



## Valve Standard

Conforms to AWWA C515 / BS5163

## Working pressure

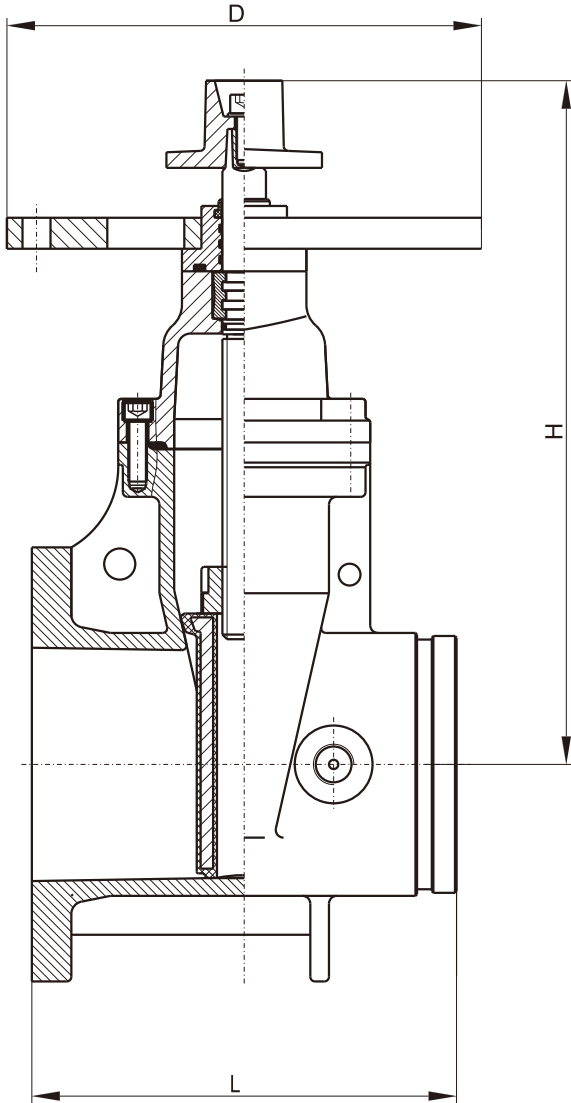
200PSI / 250PSI / 300PSI

## Flanged Ends

ANSI B16.1 Class125/150/250,  
EN1092-2 PN10/PN16/PN25  
BS10 Table D/Table E  
AWWA C 606

## Materials List

Part Name	Material	Specification
Body	Ductile Iron	A536 65-45-12
Wedge Disc	Ductile Iron EPDM Coated	
Disc Nut	Bronze	ASTM B62
Stem	Stainless Steel	AISI 304/302
Gasket	EPDM	Commercial
Bonnet	Ductile Iron	A536 65-45-12
Thrust Collar	Bronze	ASTM B62
Gland	Ductile Iron	A536 65-45-12
Wrench Nut	Ductile Iron	A536 65-45-12
Post Plate	Ductile Iron	A536 65-45-12



## Dimensions(mm/inch):

SIZE	mm	50	65	80	100	125	150	200	250	300
	inch	2	2 <sup>1</sup> / <sub>2</sub>	3	4	5	6	8	10	12
L	mm	178	191	203	229	254	267	292	330	356
	inch	7.00	7.50	8.00	9.00	10.00	10.50	11.50	13.00	14.00
H	mm	295	295	323	342	408	440	537	640	723
	inch	11.61	11.61	12.72	13.46	16.06	17.32	21.14	25.20	28.46
D	mm	305	305	305	305	305	305	305	305	305
	inch	12.01	12.01	12.01	12.01	12.01	12.01	12.01	12.01	12.01