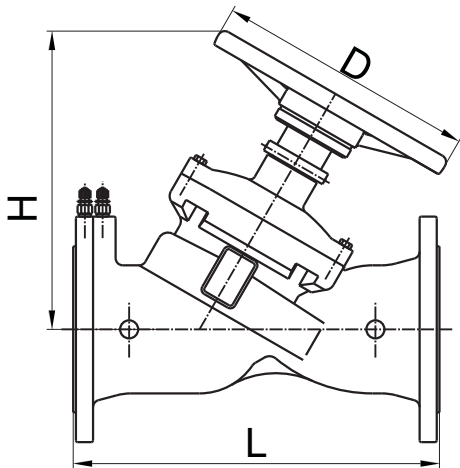


Fig. 1209-DF

ANSI Flanged Ends for Single Unit Systems Conforms to BS7350



Specification

Single unit Y-pattern globe valves incorporating an integral orifice plate to form a fixed orifice flow measurement unit with regulation and isolation capacity. Valves conform to requirements of BS 7350.

Application

Primarily used in injection or other circuits requiring a double regulating valve for systems balancing. Accuracy of flow measurement is $\pm 5\%$ at all open positions of the valve in accordance with BS 7350.

Pressure/Temperature Ratings

	PN16	PN25
Temperature $^{\circ}$ C	-10 to 120	
Working Pressure(Bar)	16	25
Test Pressure(Bar)	Shell:24 Seat:17.6	Shell:37.5 Seat:27.5

Materials

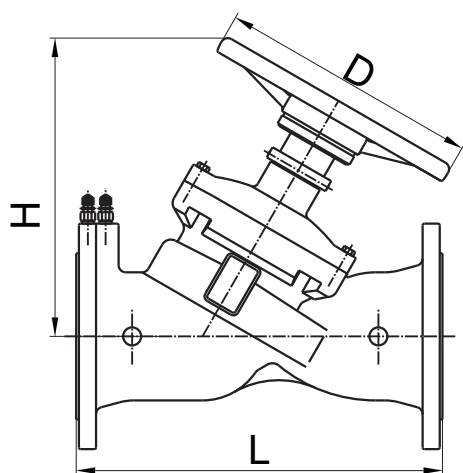
Part	Material	ASTM Specification
Body	Ductile	A536 65-45-12
Bonnet	Ductile	A536 65-45-12
Stem	Stainless Steel 410	AISI 410
Disc	EPDM Coated DI	A536 65-45-12
Gland (65-150mm)	Brass	B124 C37700
Gland (200-300mm)	Ductile	A536 65-45-12
Stem Nut	Brass	B124 C37700
Hand Wheel	Ductile	A536 65-45-12
Test Valve	Brass	B453 C35330
Orifice Insert	Brass	B124 C37700
Packing	Graphite	Non-Asbestos

Dimensions, Coefficients

Nom. Size		Dimensions(mm)			Flow	Head loss	Kvs
		L	H	D	Kv	K	
2 ¹ / ₂	DN65	290	265	200	104	5.32	104
3	DN80	310	270	200	112	6.48	116
4	DN100	350	310	240	162	13.15	213
5	DN125	400	340	290	254	8.32	333
6	DN150	480	340	290	335	7.33	476
8	DN200	600	537	350	535	8.26	768
10	DN250	730	570	420	1099	7.27	1153
12	DN300	850	690	420	1588	8.36	1743

Fig. 1209-DFM

Flanged PN16 or PN25 for Single Unit Systems Conforms to BS7350



Specification

Single unit Y-pattern globe valves incorporating an integral orifice plate to form a fixed orifice flow measurement unit with regulation and isolation capacity. Valves conform to requirements of BS 7350.

Application

Primarily used in injection or other circuits requiring a double regulating valve for systems balancing. Accuracy of flow measurement is $\pm 5\%$ at all open positions of the valve in accordance with BS 7350.

Pressure/Temperature Ratings

	PN16	PN25
Temperature $^{\circ}$ C	-10 to 120	
Working Pressure(Bar)	16	25
Test Pressure(Bar)	Shell:24 Seat:17.6	Shell:37.5 Seat:27.5

Materials

Part	Material	Specification
Body	Ductile	EN-JL 1050
Bonnet	Ductile	EN-JL 1050
Stem	Stainless Steel 410	BS970 410S21
Disc	EPDM Coated DI	EN-JL 1050
Gland (65-150mm)	Brass	EN 12165 CW617N
Gland (200-300mm)	Ductile	EN-JL 1050
Stem Nut	Brass	EN 12165 CW617N
Hand Wheel	Ductile	EN-JL 1050
Test Valve	Brass	EN 12165 CW602N
Orifice Insert	Brass	EN 12165 CW617N
Packing	Graphite	Non-Asbestos

Dimensions, Coefficients

Nom. Size	Dimensions(mm)			Flow Kv	Head loss K	Kvs	
	L	H	D				
2 ¹ / ₂	DN65	290	265	200	104	5.32	104
3	DN80	310	270	200	112	6.48	116
4	DN100	350	310	240	162	13.15	213
5	DN125	400	340	290	254	8.32	333
6	DN150	480	340	290	335	7.33	476
8	DN200	600	537	350	535	8.26	768
10	DN250	730	570	420	1099	7.27	1153
12	DN300	850	690	420	1588	8.36	1743