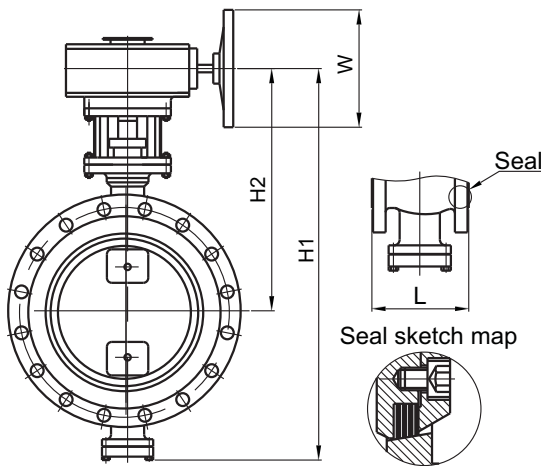


Fig. 2986



**Valve Standard :**

Comply with ISO 5752/BS5155/BS EN 593

**Pressure Temperature Ratings**

Working pressure	10/16/25/40/63bar
Testing Pressure	Shell:15/24/37.5/60/94.5bar Seal:11/17.6/27.5/44/69.3bar
Working Temperature	-196°C to 550°C
Suitable Media	Water,Oil&Gas

**Material Specification**

Part	Material	ASTM
Body	Carbon Steel	ASTM A216 WCB
	Stainless Steel	ASTM A351 CF8
	Alloy Steel	ASTM A217 WC6
	Low Temperature Steel	ASTM A352 LCB
Disc	Carbon Steel	ASTM A216 WCB
	Stainless Steel	ASTM A351 CF8
	Alloy Steel	ASTM A217 WC6
	Low Temperature Steel	ASTM A352 LCB
Shaft	Stainless Steel 304	ASTM A276 S30400
	Stainless Steel 431	ASTM A276 S43100
Packing	Flexible Graphite	
Disc Seals	Graphite+SS304	

**Dimensions**

DN	mm	50	65	80	100	125	150	200	250	300	350	400	450	500
	inch	2	2-1/2	3	4	5	6	8	10	12	14	16	18	20
H1		293	313	333	345	370	425	488	575	642	731	786	844	945
H2		218	228	238	255	270	305	362	410	444	492	522	552	606
W		160	160	180	180	200	200	350	350	400	400	600	600	600
L		108	112	114	127	140	140	152	165	178	190	216	222	229

DN	mm	700	800	900	1000	1200	1400	1600	1800	2000	2200	2400	2600	2800
	inch	28	32	36	40	48	56	64	72	80	88	96	104	112
H1		1222	1340	1391	1596	1861	2066	2397	2674	2901	3119	3324	3780	3933
H2		726	862	915	1020	1075	1235	1355	1600	1725	1970	2080	2351	2425
W		800	400	400	400	400	600	600	600	600	800	800	800	800
L		292	318	330	410	470	530	600	670	950	1000	1110	1190	1270