

TYPE 600

Brass Ball Valve (Threaded)

Fig. 1201

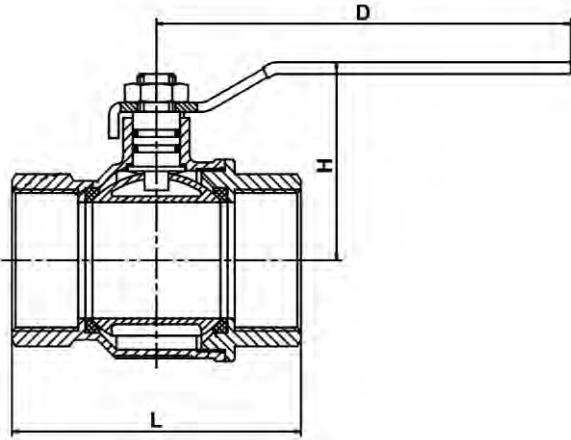


Specification

Screwed Body Cap • Full Bore
 Blow-out Proof Stem • PTFE Seat
 Threaded to BS 21 (ISO7) / ASME B1.20.1
 Size Range: 15mm(1/2")~100mm(4")

Pressure Ratings

Working Pressure	600 psi (41.3 bar) WOG Non-Shock 150 psi (10.3 bar) Saturated Stem
Testing Pressure	Shell: 900 psi (62 bar) Hydrostatic Seat: 660 psi (45.5 bar) Hydrostatic 80 psi (5.5 bar) Air



Material List

Part Name	Material	ASTM	BS
Body	Brass	B124 C38800	2874 Cz122
Cap	Brass	B124 C38800	2874 Cz122
Ball	Brass	B124 C38800	2874 Cz122
Seat	PTFE		
Stem	Brass Rod	B124 C38800	2874 Cz122
O-Ring	NBR		
Handle	Steel	A709 36	

Dimension

DN	8	10	15	20	25	32	40	50	65	80	100
L	46	46	48.5	55	64.5	75	85	99	120	136	156
H	46	46	48	52.5	58	71	76	90	100	110	127
D	72	72	97	97	104	123	123	150	225	225	225